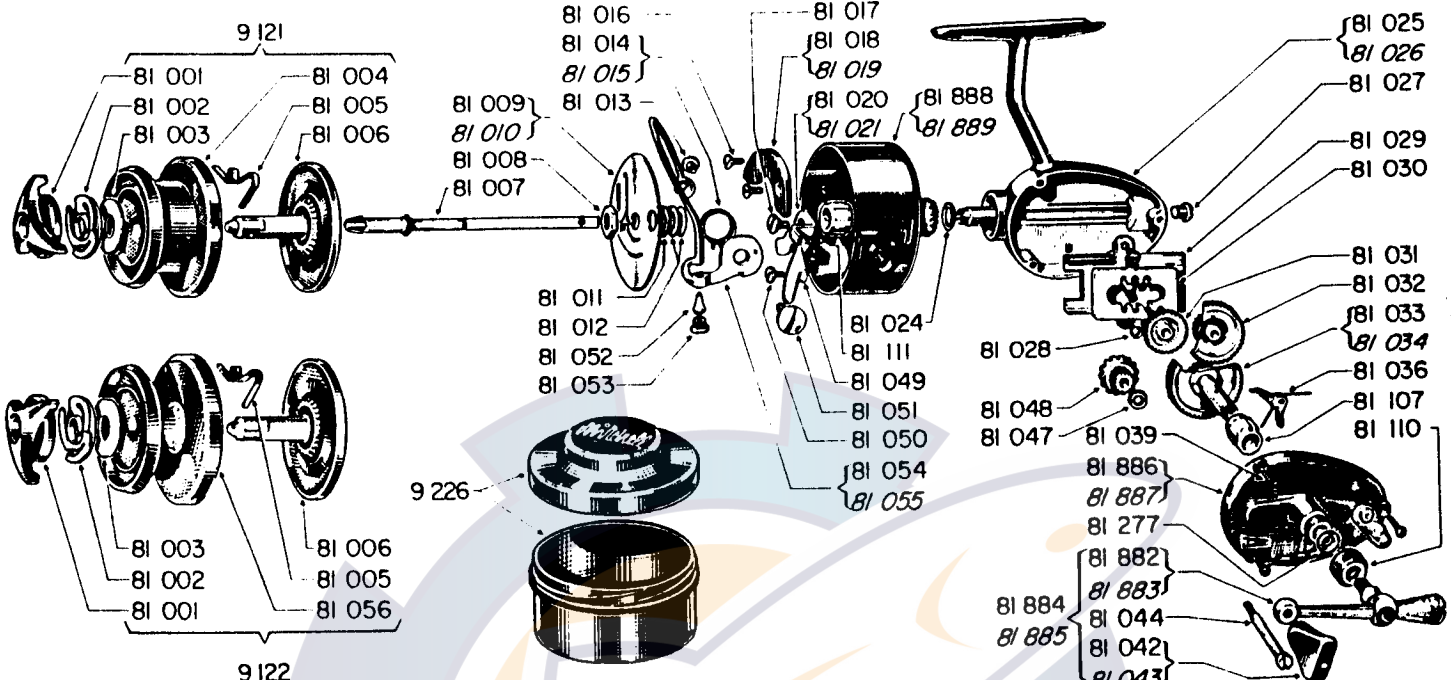




MITCHELL 300C-301C



Prices subject to change without notice
 Items in red for left hand model 301C
 *Use only the number of shims required for smoothest performance

Please specify both reel model and part numbers when ordering.

No.	Part Name	Price	No.	Part Name	Price	No.	Part Name	Price
9121	Spool Complete Small, less container	2.75	81016	Counterweight Screw (ea.)	.10	81048	Trip Lever Spring	.10
9122	Spool Complete Large, less container	2.75	81017	Trip Lever Screw	.10	81050	Trip Lever Spring Screw	.05
9223	Accessory Handle, Torpedo Knob (300C)	2.25	81018	Counterweight (300C)	.45	81051	Bail Screw No. 1	.20
9224	Accessory Handle, Torpedo Knob (301C)	2.25	81019	Counterweight (301C)	.45	81052	Line Guide	.75
9226	Spool Container	.60	81020	Trip Lever (300C)	.25	81053	Line Guide Screw	.10
9231	Combination Tool	1.10	81021	Trip Lever (301C)	.25	81054	Bail (300C)	2.50
81001	Drag Adjusting Knob	.25	*81024	Shims To Adjust Head and Housing (set of 3)	.30	81055	Bail (301C)	2.50
81002	Brake Spring	.30	81025	Housing (300C)	3.50	81056	Spool Shell, Large	2.00
81003	Teflon Drag Washer	.10	81026	Housing (301C)	3.50	81057	Handle Shank (300C) (9223)	1.50
81004	Spool Shell, Small	1.10	81027	Lube Port Screw	.10	81058	Handle Shank (301C) (9224)	1.50
81005	Click Spring	.10	81028	Oscillation Guide Screw (ea.)	.05	81059	Knob Lube Port (9223)	.10
81006	Spindle	1.00	81029	Oscillation Guide	.30	81060	Handle Knob (9223) (9224)	.50
81007	Axle	.75	81030	Oscillation Slide	.45	81107	Coverplate Bearing	.50
81008	Hex Nut	.10	81031	Pivot Gear	.45	81110	Dust Shield	.20
81009	Baffle Plate (300C)	.40	81032	Transfer Gear	.45	81111	Rotating Head Bearing	.50
81010	Baffle Plate (301C)	.40	81033	Drive Gear (300C)	1.25	81277	Handle Spacer	.10
81011	Baffle Plate Washer	.10	81034	Drive Gear (301C)	1.25	81882	Handle Shank (300C)	1.40
*81012	Shims To Adjust Head and Baffle Plate (set of 3)	.30	81036	Anti Reverse Dog	.25	81883	Handle Shank (301C)	1.40
81013	Bail Screw No. 2	.15	81039	Cover Screw (ea.)	.10	81884	Handle Complete, Standard (300C)	1.75
81014	Bail Spring (300C)	.15	81042	Handle Knob (300C)	.25	81885	Handle Complete, Standard (301C)	1.75
81015	Bail Spring (301C)	.15	81043	Handle Knob (301C)	.25	81886	Coverplate (300C)	3.25
			81044	Handle Knob Screw	.10	81887	Coverplate (301C)	3.25
			*81047	Shims To Adjust Pinion Gear (set of 2)	.20	81888	Rotating Head (300C)	3.50
						81889	Rotating Head (301C)	3.50

PARTS AND SERVICE AVAILABLE AT THE FOLLOWING REGIONAL FACTORY REPAIR DEPOTS:

FACTORY SERVICE
 RODS, REELS AND PARTS

THE GARCIA SERVICE DEPARTMENT
 329 ALFRED AVENUE
 TEANECK, NEW JERSEY 07666

THE CONOLON CORPORATION
 1111 EAST McFADDEN STREET
 SANTA ANA, CALIFORNIA 92705

SILICOTE SALES DIVISION
 520 WEST 14th AVENUE
 OSHKOSH, WISCONSIN 54902

J. K. CLARK COMPANY
 ACO SPORTSMEN SERVICE
 13501 VAN DYKE
 DETROIT, MICHIGAN 48234

REEL SERVICE AND PARTS

NATE BUELL SERVICE CORPORATION
 5013 N.E. 42nd STREET
 PORTLAND, OREGON 97218

HARRY C. MILLER CO., INC.
 257 PARK AVENUE SOUTH
 NEW YORK, NEW YORK 10010

SHERMAN LOYD SALES COMPANY
 4737 GREENVILLE AVENUE
 DALLAS, TEXAS 75206